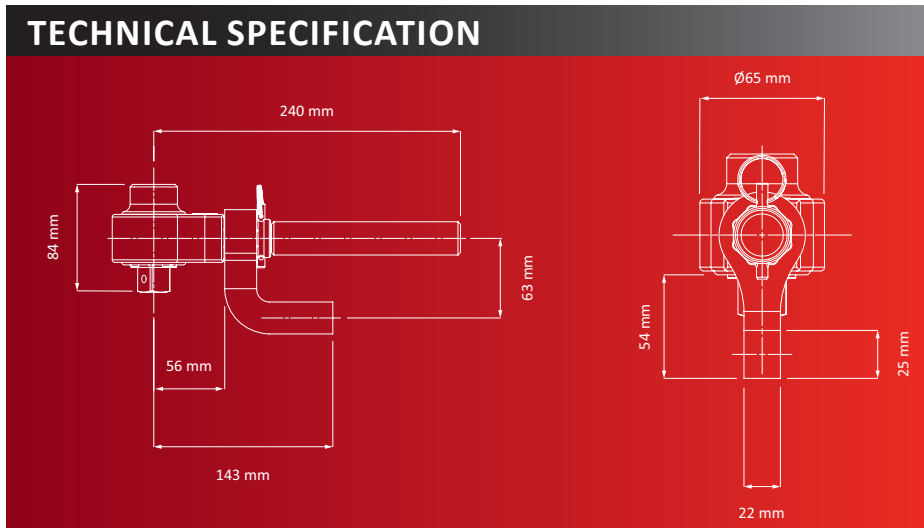
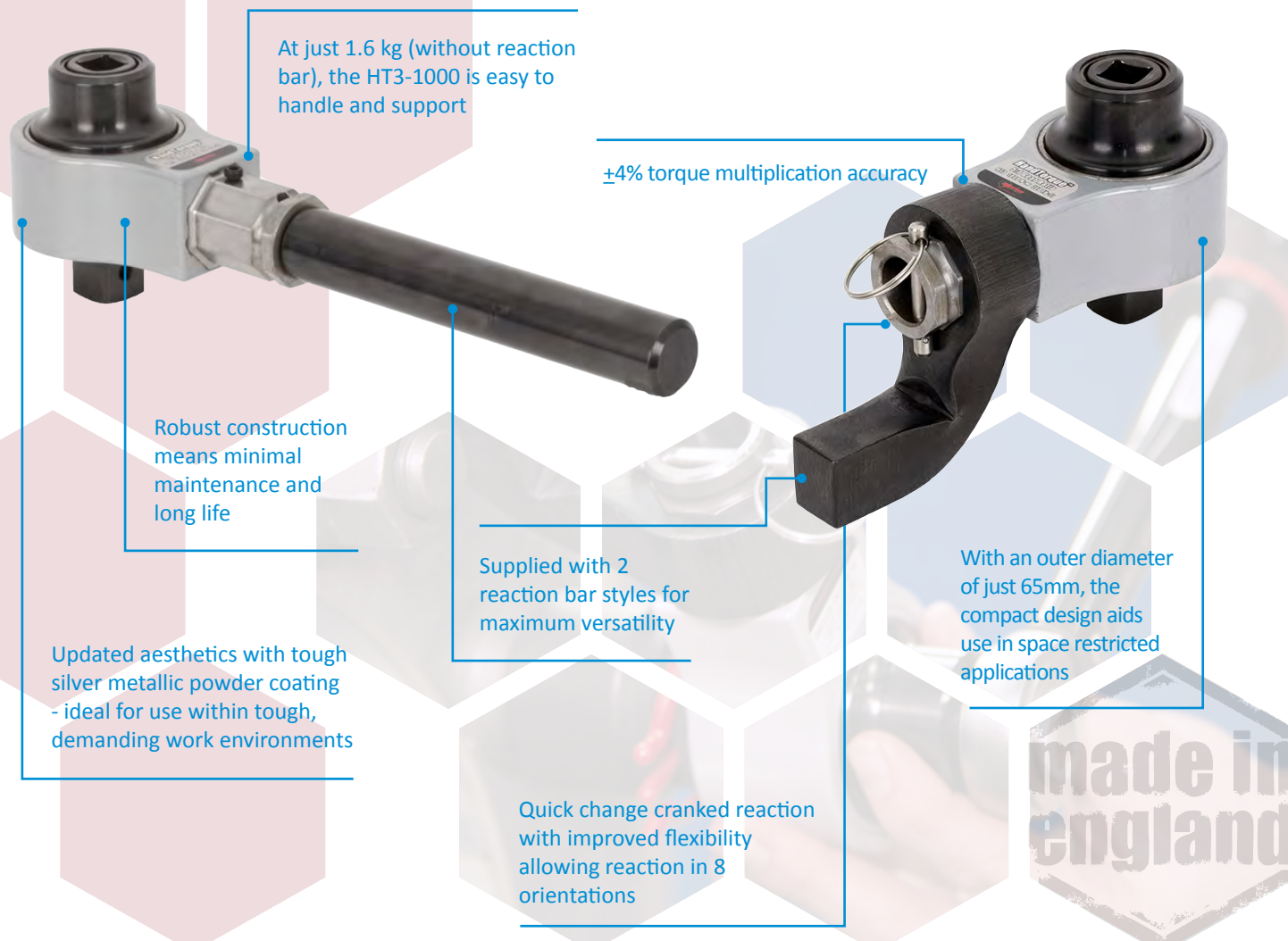


# HT3-1000-Multiplier-moment-max-1000Nm

NORBAR HAS USED ITS LATEST GEARBOX TECHNOLOGY AND MATERIALS TO PRODUCE A VERSATILE AND EXTREMELY COMPACT TORQUE MULTIPLIER – THE HT3-1000



<b>MODEL</b>		HT3-1000
<b>PART NUMBER</b>		180260
<b>NOMINAL RATIO</b>		5:1*
<b>INPUT SQUARE</b>		½"
<b>OUTPUT SQUARE</b>		¾"
<b>MAXIMUM TORQUE OUTPUT</b>	N-m	1,000
	lbf-ft	738
<b>TOOL WEIGHT (kg)</b>		1.6
<b>REACTION WEIGHT (kg)</b>	Cranked	0.5
	Straight	0.7
<b>PACKED WEIGHT (kg)</b>		3.1

\*5:1 nominal torque multiplication reaction dependent. Ratio with cranked reaction is 4.8:1; with straight reaction being 4.9:1.

